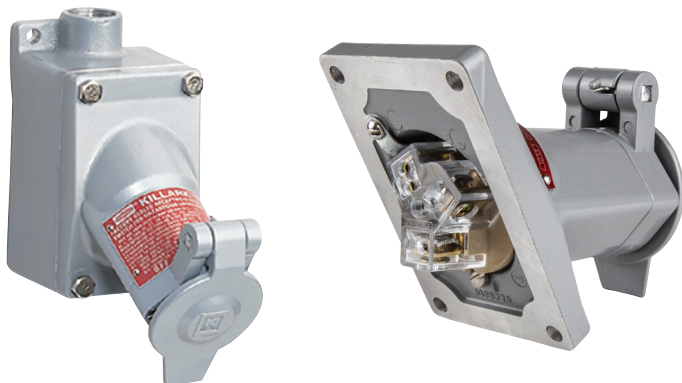




KILLARK®

INSTALLATION, OPERATION & MAINTENANCE DATA SHEET

THE “ACCEPTOR®” SERIES “UGR” & “UGR...QW” RECEPTACLES



THE “ACCEPTOR®” SERIES “UGR” & “UGR...QW” RECEPTACLES

CAUTION:

Before installing, make sure you are compliant with area classifications, failure to do so may result in bodily injury, death and property damage. Do not attempt installation until you are familiar with the following procedures. All installation must comply with the applicable Electrical Code.

Make sure that the circuit is de-energized before starting installation or maintenance.

Verify that the installation is grounded. Failure to ground will create electrical shock hazards, which can cause serious injury and or death.

Technical information, advice and recommendations contained in these documents is based upon information that Killark believes to be reliable. All the information and advice contained in these documents is intended for use only by persons having been trained and possessing the requisite skill and know-how and to be used by such persons only at their own discretion and risk. The nature of these instructions is informative only and does not cover all of the details, variations or combinations in which this equipment may be used, its storage, delivery, installation, check out, safe operation and maintenance. Since conditions of use of the product are outside of the care, custody and control of Killark, the purchaser should determine the suitability of the product for his intended use, and assumes all risk and liability whatsoever in connection therewith.



3940 Dr. Martin Luther King Drive
St. Louis, MO 63113

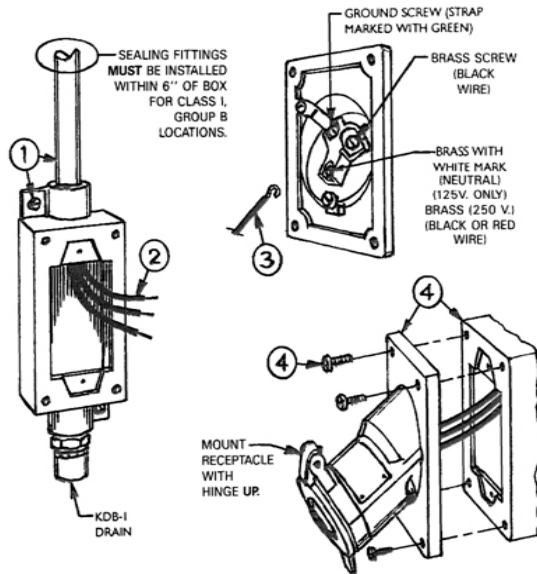
P/N 00911678 FORM NO. K1007 R9/15 ECO-7-019-15

WARNING: Electrical power **MUST BE OFF** during installation, or performing any maintenance. **Disconnect** primary power source and lock out. This device **must** be installed by trained, qualified and competent personnel. Installation **must** comply with local, state and national regulations, as well as safety practices for this type of equipment.

CAUTION: To reduce the risk of ignition of hazardous atmospheres, **do not** use Class II, Group F locations that contain electrically conductive dusts.

Before installing, check the carton label and product nameplate to be sure you have the correct type.

INSTALLATION DRAWINGS



1. DIRECTIONS FOR INSTALLATION

RECEPTACLE: The series “UGR” Receptacle must be installed as directed below for the specific hazardous location in which it is to be used. (Vertical position only for Class II, Gr. F&G and/or Raintight). For use with Killark Type “UGP” plugs and other plugs specified on Form No. K1092, also provided with this product.

- Using the drawings at the left as a guide, securely mount the outlet box in a suitable location and install conduit. Receptacles for Class I, Group B are provided with single gang Series “SWB” mounting box. All conduits must be provided with a sealing fitting within 6 inches of the box. Receptacles for Class I, Groups C&D may be provided with single or double gang mounting boxes, or may be field assembled with Series “SWB” mounting boxes, Cat. Nos. SWB-1 through SWB-12.
- Pull supply wires through conduit system and into box. **NOTE:** Use **only** Copper wire with this device (10, 12 or 14 AWG).
- UGRO WIRING (for UGRO...QW Wiring, See next page):** Loop the wires and attach them to the proper terminal screws: Green lead (Ground, if provided) to screw at Ground strap (marked Green); White (Neutral) lead to terminal at White mark (125V only); Black and/or Red [Line lead(s)] to unmarked terminal(s).

KILLARK® **Chalmit**

Victor
Lighting

Vantage
Technology

RIGHPower

HAWKE
International

3940 Dr. Martin Luther King Drive
St. Louis, MO 63113

P/N 00911678 FORM NO. K1007 R9/15 ECO-7-019-15

Page 2 of 3

4. Check the flange surfaces of both the box and the receptacle cover to be sure they are clean, smooth; free of nicks, scratches, dirt or any foreign particles that would prevent a proper seal. Apply a light coating of Killark "LUBG" lubricant to the flanges and , after pushing wiring into box, install cover to box, using the (4) screws provided. Tighten the screws to 5 ft. lbs. torque. After tightly bolting the cover assembly to the box, the box to cover flame joint should be checked with a 0.0015" thick feeler gauge, such that the gauge will not enter the joint more than 1/8" at any point.

2. OPERATIONAL DATA

NOTE: UGRx receptacles WILL NOT operate with ordinary plugs; UGP series plugs must be used. See UGP instruction sheet K1377 for more information.

1. Lift receptacle door and insert plug all the way into the receptacle.
2. Turn plug to clockwise limit (45°). This closes internal contacts and completes circuit.
3. Release plug. Plug will move outward to "LOCK" position. Check by trying to turn plug without pushing inward; plug should not turn.
4. To remove plug, push plug inward and turn to counter-clockwise limit (45°). Pull plug straight out.

UGRO...QW WIRING (See Figure 1) :

NOTE: Use **only** copper wire with this device (10, 12 or 14 AWG). Recommended wire strip length – ½ inch nominal (wire strip gauge also available on the QW terminal cover). Loosen all (3) Terminal Contact Screws and insert wire through the Wiring Entrance holes, into proper terminals: Green lead (Ground) to terminal with ground mark & Green screw head; White (Neutral) lead to terminal with Silver screw head (125V. only); Black and/or Red [Line lead(s)] to terminal(s) with Brass screw head. Hand tighten terminal screws (recommended torque 8 in.-lbs.

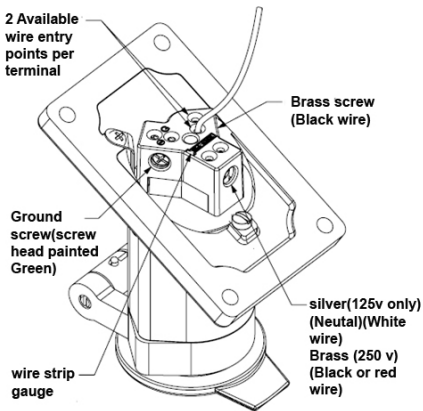


Figure 1
"QW" TERMINAL CONNECTIONS

3. MAINTENANCE DATA

These receptacles require no maintenance other than a periodic cleaning and a check for damage and/or loose fasteners. These items should be performed on a regular basis, determined by the environment and usage.

WARNING: Disconnect and Lock Out supply circuit before starting maintenance work.

1. To clean receptacle it is recommended that a soft, non-metallic bristle brush be used.
2. Check tightness of all accessible screws.
3. Inspect the entire assembly for damage and/or wear. Consult Killark factory for availability of replacement parts and discontinue use of the equipment until repairs are made.

KILLARK® **Chalmit**

Victor
Lighting

Vantage
Technology

RIG POWER

HAWKE
International

3940 Dr. Martin Luther King Drive
St. Louis, MO 63113

P/N 00911678 FORM NO. K1007 R9/15 ECO-7-019-15

Page 3 of 3